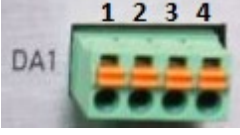



Control System DE-VX46xx

4 x Analog Outputs (DA1 – DA4)		PLC Addresses
		channel 1 : <u>_AA_1_1</u> channel 2 : <u>_AA_1_2</u> channel 3 : <u>_AA_1_3</u> channel 4 : <u>_AA_1_4</u>
Connection	Function	
1	Output 0-20mA / 4-20mA (max. burden 500Ω)	
2	Ground for output 0-20mA / 4-20mA	
3	Output 0-10V (min. burden 1kΩ)	
4	Ground for output 0-10V	

8 x Analog Inputs (AD1 – AD8)		PLC Addresses
		channel 1 : <u>_AE_1_1</u> channel 2 : <u>_AE_1_2</u> channel 3 : <u>_AE_1_3</u> channel 4 : <u>_AE_1_4</u> channel 5 : <u>_AE_1_5</u> channel 6 : <u>_AE_1_6</u> channel 7 : <u>_AE_1_7</u> channel 8 : <u>_AE_1_8</u>
Connection	Function	
1	PT1: Voltage source 1 for PT100/resistance measurement	
2	PT2: Voltage source 2 for PT100/ resistance measurement	
3	PT3: Ground for PT100/ resistance measurement	
4	U: Measurement input +	
5	AA: Input current measurement burden (100Ω)	
6	GND: Measurement input -	
Voltage metering (incl. thermocouples): Connect measuring line to U and GND		
Current measurement: Connect measuring line to U and GND Connect U and AA directly		
Resistance measurement (incl. PT100): 2-wire technology: Connect measuring line to U and GND Connect PT1 and U directly Connect PT3 and GND directly 3-wire technology: Connect measuring line to U and GND Connect PT1 and U directly Connect PT2 and GND where the measurement is taken		

demig Prozessautomatisierung GmbH

Connect PT3 and GND directly

4-wire technology:

Connect measuring line to U and GND

Connect PT1 and U where the measurement is taken


Connect PT2 and GND where the measurement is taken

Connect PT3 and GND directly

Cold junction sensors

Connection	Function
VGx	Cold junction temperature sensor delivered as connector

32 – 128 Digital IO (IO 0.0 – IO 15.7*1)

Connection	Function	LED
0	Digital Input or Output**2	 <p>green = input/output active or logic 1</p>
1	Digital Input or Output**2	
2	Digital Input or Output**2	
3	Digital Input or Output**2	
4	Digital Input or Output**2	
5	Digital Input or Output**2	
6	Digital Input or Output**2	
7	Digital Input or Output**2	
GND	Power supply ground connector	orange = warning: over/underload
24V	20-30V DC power supply	red = error: insufficient voltage

The digital inputs and outputs of each rack are electrically isolated from each other and from the system.

Output load: max. 0,5 A (Ohmic load)

*1 depending on controller type

*2 depending on configuration

Recommended Connector Types

Phoenix Contact Combicon FMC 1,5/xx-ST-3,81	Clamp connection (scope of delivery)
Phoenix Contact Combicon MC 1,5/xx-ST-3,81	Screw connection and marking space

xx = necessary number of poles

Other compatible models are possible.

Back view

DE-VX 4608

